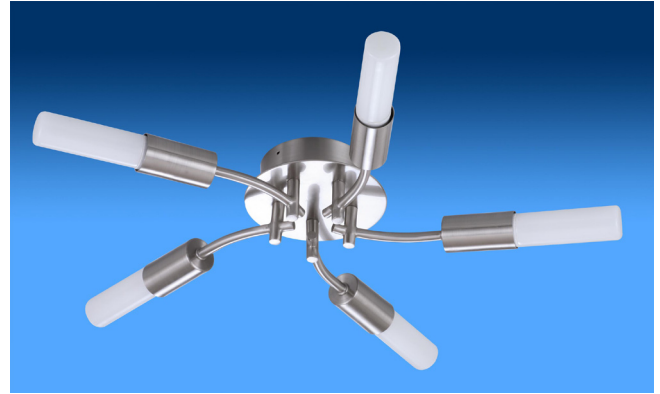


It is now accepted that climate change is happening and consequently it is imperative that there is a review of all products that contribute to the excess in energy consumption.

tp24 are dedicated to making energy saving lighting that is both aesthetically pleasing and affordable. The launch at this years Lighting Show of tp24's Kyoto 2 range shows how low energy lighting has changed and continues to develop. Clearly there is a revolution going on in the energy efficiency business and you can be a part of it.

Kyoto 2 brings over 150 additional products to the original Kyoto collection launched last year, all featuring our dedicated LI system. There are two new lamps - the tube and the micro - both being 9w with high efficiency in excess of 45lm/w and, as with all our lamps, they comply with part L1 and L2 requirements of the building regulations. The tube lamp allows replacement of G9 lamps when used with a cylinder glass and the micro allows for a much smaller glass shade than the candle and GLS type products.



LI products are suitable for both domestic and commercial environments. The versatility of the design enables solutions to specific requirements to be achieved encompassing both ultra modern through to traditional style lighting . At tp24 we work closely with our clients to provide solutions for these varying markets. We are able to design and develop bespoke solutions to meet your needs. Licensing for local assembly in the UK and mass production in the Far East is now available.



9W TUBE

9W MICRO

9W CANDLE

9W SPOT

15W GLS



The market for energy saving is growing rapidly and tp24 are leading it boldly from the front. Together we can make low energy lighting main stream and revolutionise all lighting. With lamps that last 8 - 10 times longer and use 80% less electricity the choice is easy. Combine this with good design, style and innovative ideas previously not conceivable in low energy together with competitive pricing there is no going back - the future is here.

Join the revolution today and make a difference.